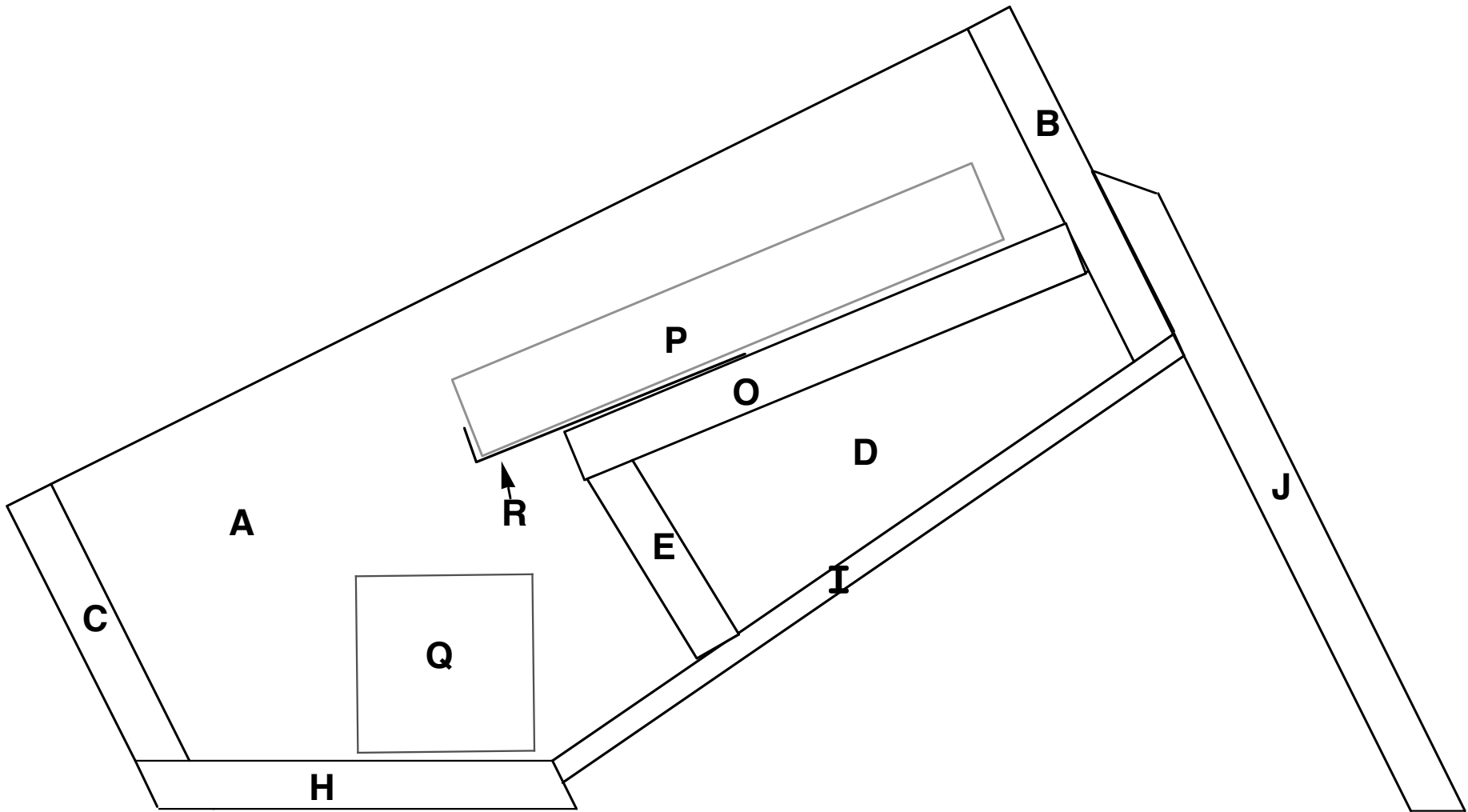


scale - ?

# MINI WAX SOLAR MELTER 1 of 3

Adapted from plan 790-301, The Pennsylvania State  
University Agricultural Extension Service

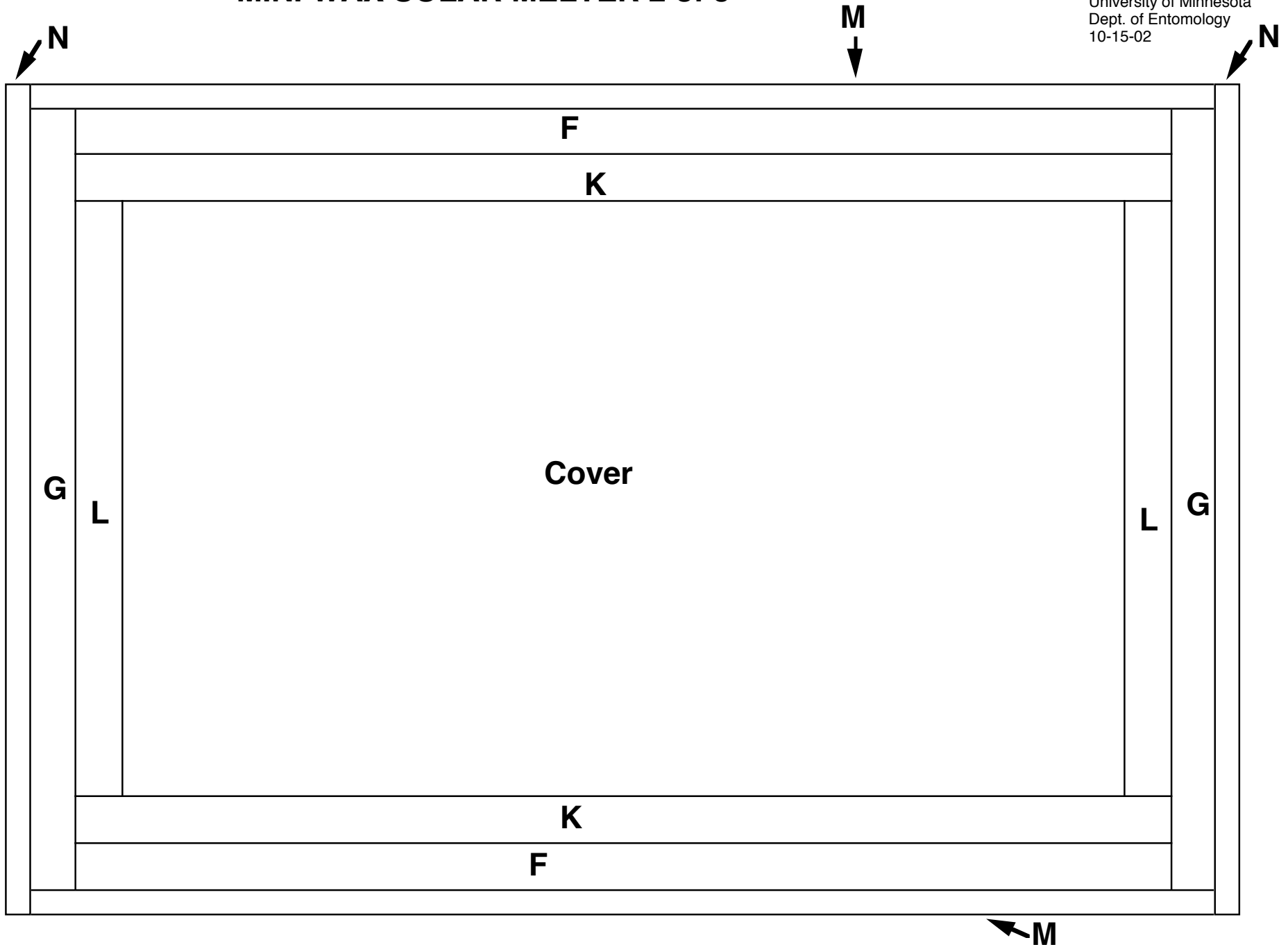
Drawn by Gary S. Reuter  
University of Minnesota  
Dept. of Entomology  
10-15-02



scale - 1"=2"

# MINI WAX SOLAR MELTER 2 of 3

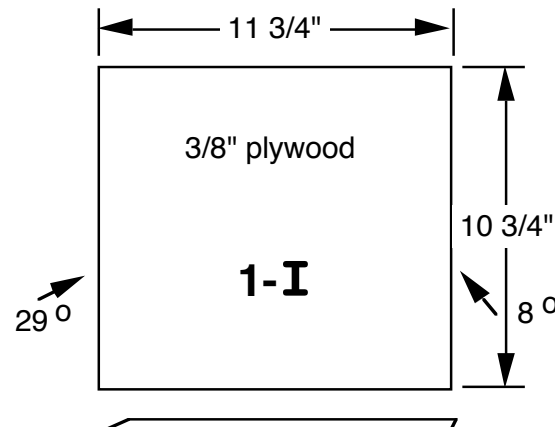
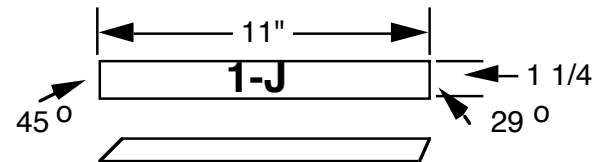
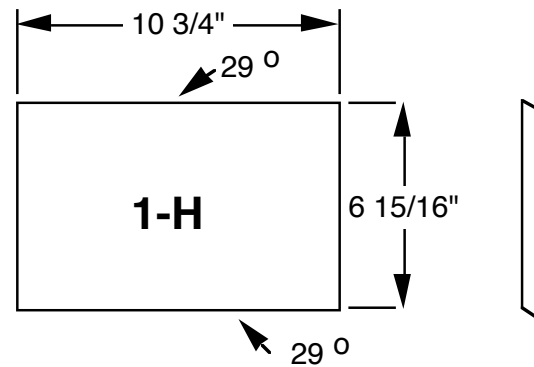
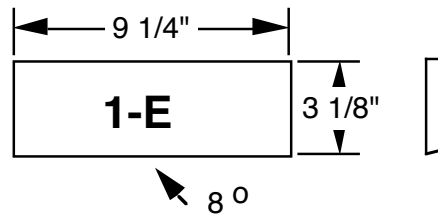
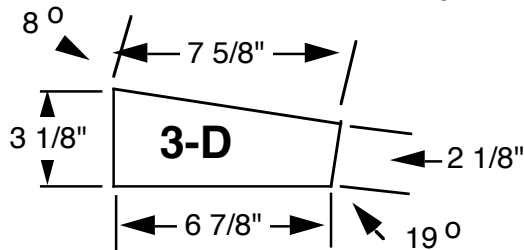
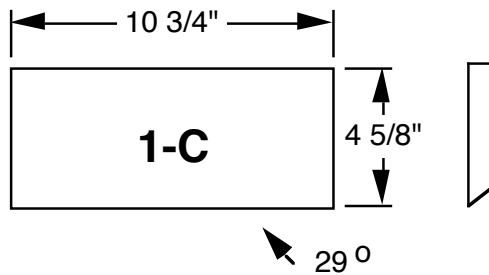
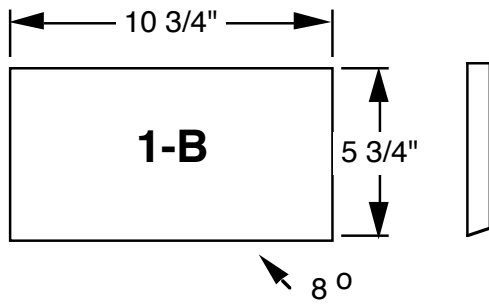
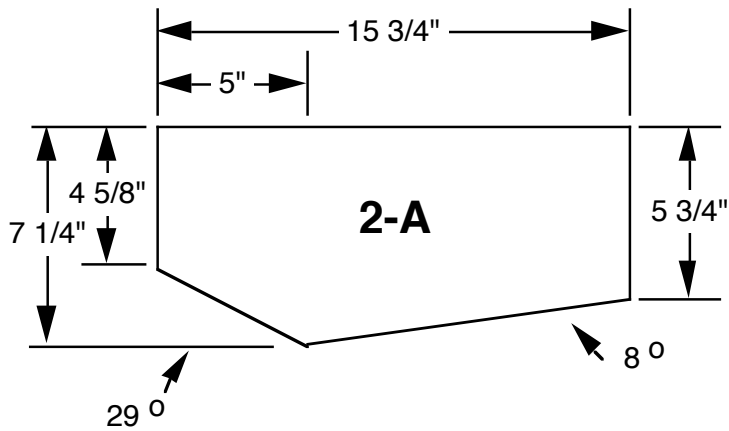
Drawn by Gary S. Reuter  
University of Minnesota  
Dept. of Entomology  
10-15-02



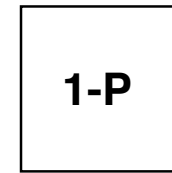
scale - 1"=6"

# MINI WAX SOLAR MELTER 3 of 3

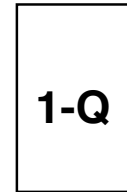
Drawn by Gary S. Reuter  
University of Minnesota  
Dept. of Entomology  
10-15-02



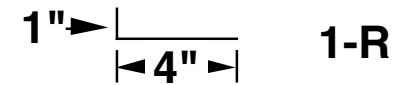
## Quantity-# needed



9X9 OR 8X8  
CAKE PAN



MILK  
CARTON



1 1/2" WIDE METAL OR  
HARDWARE CLOTH

## Material List

### #2 pine

- 2 - A - 3/4 x 7-1/4 x 15-3/4
- 1 - B - 3/4 x 5-3/4 x 10-3/4
- 1 - C - 3/4 x 4-5/8 x 10-3/4
- 3 - D - 3/4 x 3-1/8 x 7-5/8
- 1 - E - 3/4 x 3-1/8 x 9-1/4
- 2 - F - 3/4 x 2 x 17-1/2
- 2 - G - 3/4 x 2 x 12-1/2
- 2 - H - 3/4 x 6-15/16 x 10-3/4
- 1 - J - 3/4 x 1-1/4 x 11
- 2 - K - 3/4 x 3/4 x 17-1/2
- 2 - L - 3/4 x 3/4 x 9-1/2
- 2 - M - 3/8 x 3/4 x 19
- 2 - n - 3/8 x 3/4 x 13-1/4

### plywood

- 1 - I - 3/8 x 10-3/4 x 11-3/4
- 1 - O - 3/8 x 8-1/2 x 9-1/4

### sheet metal

- 2 - R - 1-1/2 x 5