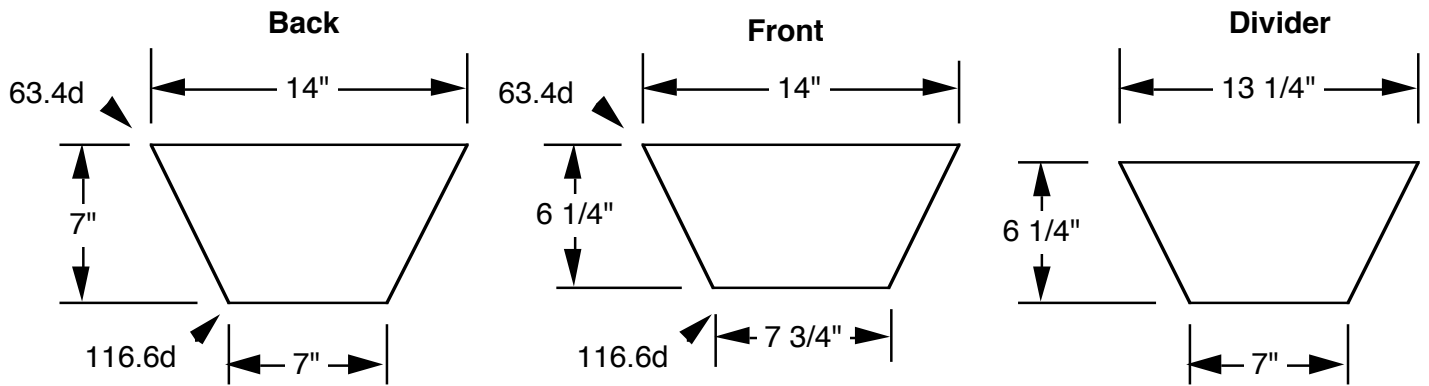


scale 1" = 8"

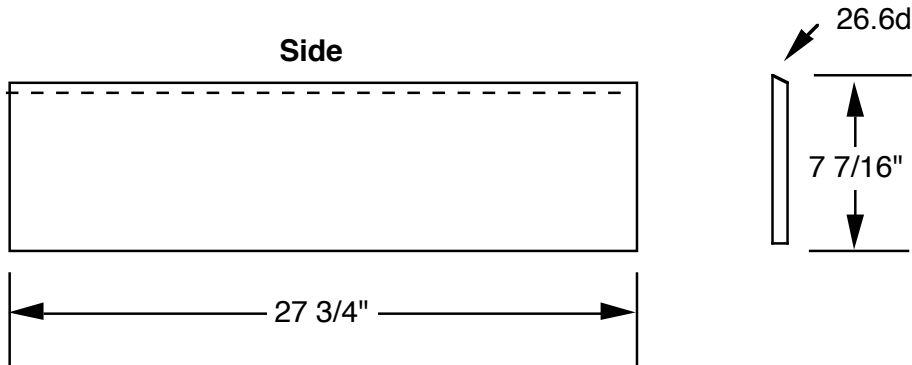
# Yemen Top Bar Hive 2 of 2

(Dimensions from Abdullah)

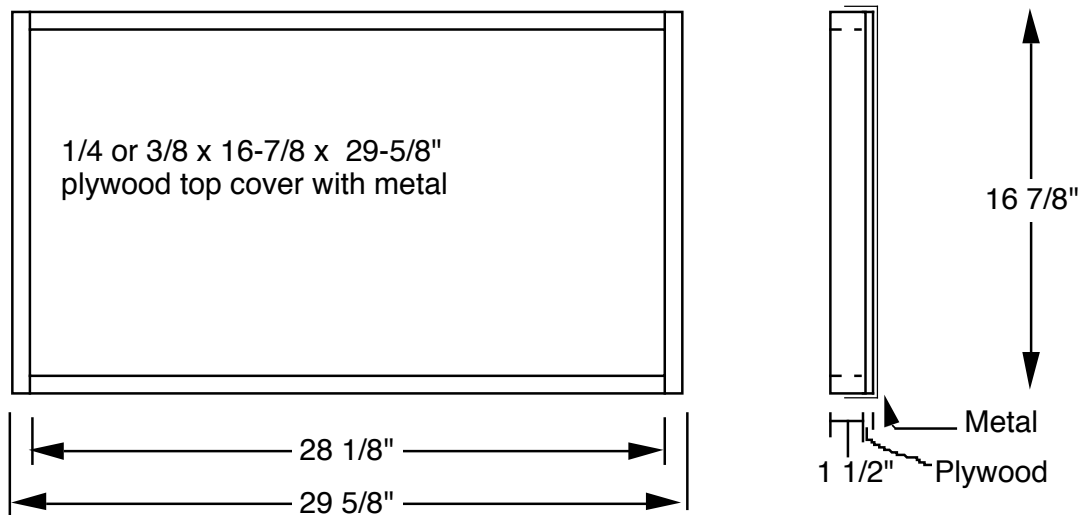


Make 3 backs and cut 3/4" off the bottom of one for front and cut 3/4" off the top of one for divider.

**Bottom** 3/4 x 8-5/8 x 30-3/4"



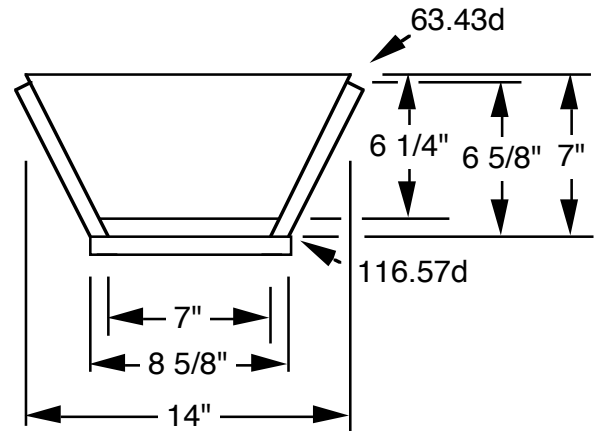
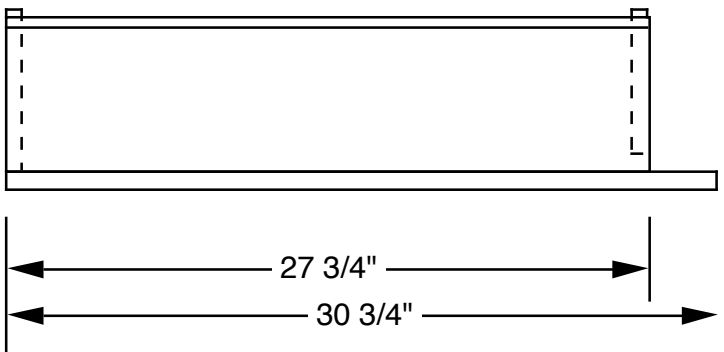
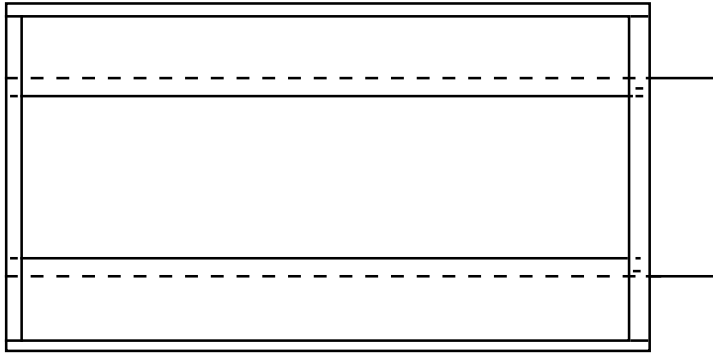
**Top**



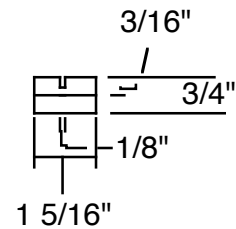
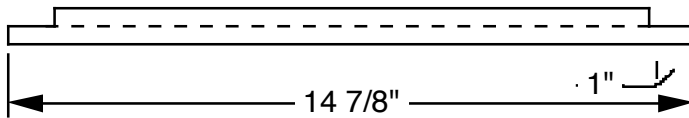
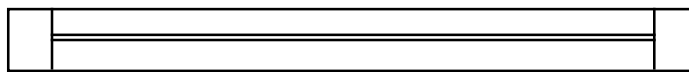
scale 1" = 8"

# Yemen Top Bar Hive 1 of 2

(Dimensions from Abdullah)



Bars (make 20) Scale 1" = 4"



## Material List

- 3 - 3/4 x 7 x 14" pine - ends & divider
- 1 - 3/4 x 8-5/8 x 30-3/4" pine - bottom
- 2 - 3/4 x 7-7/16 x 29-3/4" pine - sides
- 20 - 3/4 x 1-5/16 x 14-7/8" pine - bars
- 2 - 3/4 x 1-1/2 x 16-7/8" pine - top sides
- 2 - 3/4 x 1-1/2 x 28-1/8" pine - top sides
- 1 - 3/8 x 16-7/8 x 29-5/8" plywood - top
- 1 - 18 x 30-3/4" Flashing