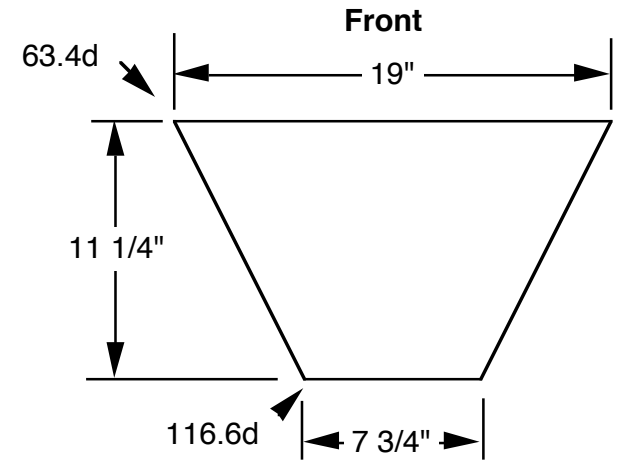
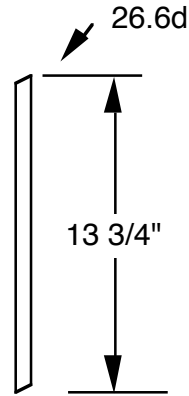
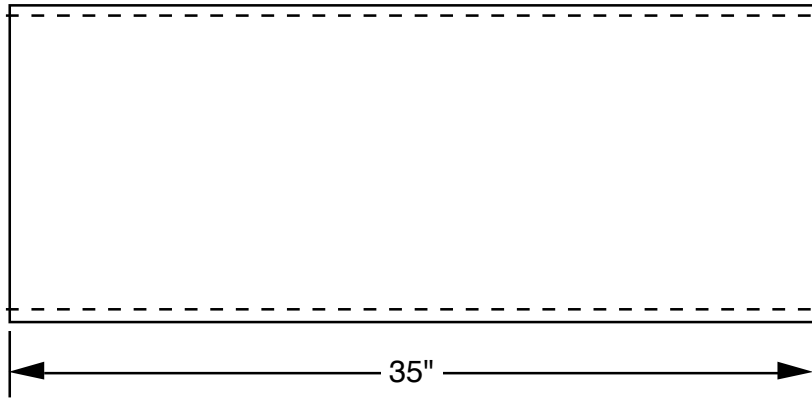


scale 1" = 8"

Kenya Top Bar Hive 2 of 2

(Dimensions from peace corps)

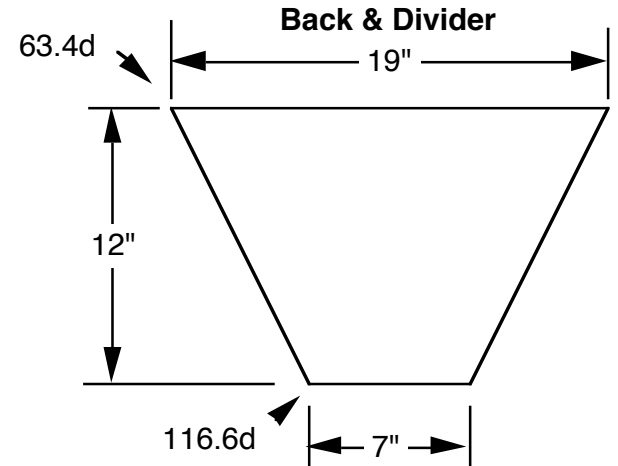
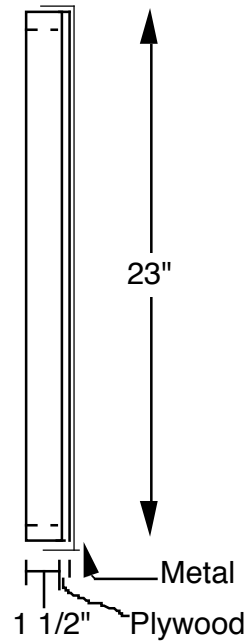
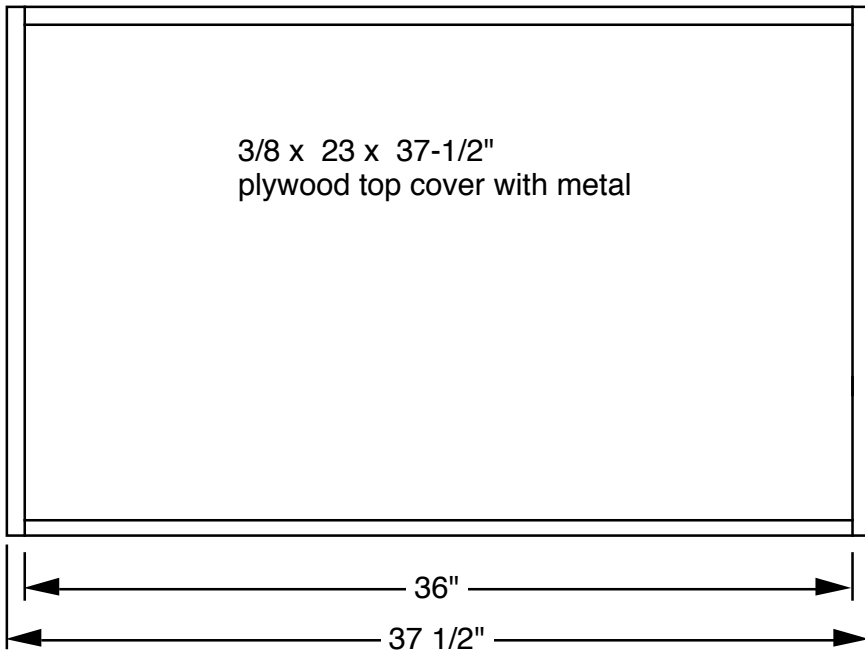
Side



scale 1" = 8"

Front

Top



Make 3 backs and cut 3/4" off the bottom of one for front and cut 3/4" off the top of one for divider.

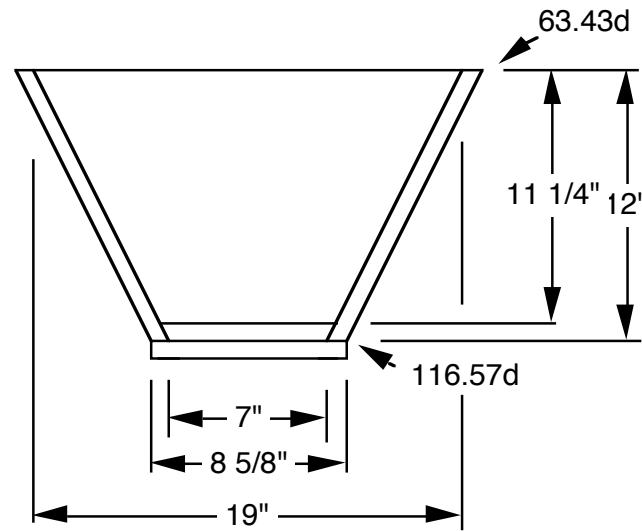
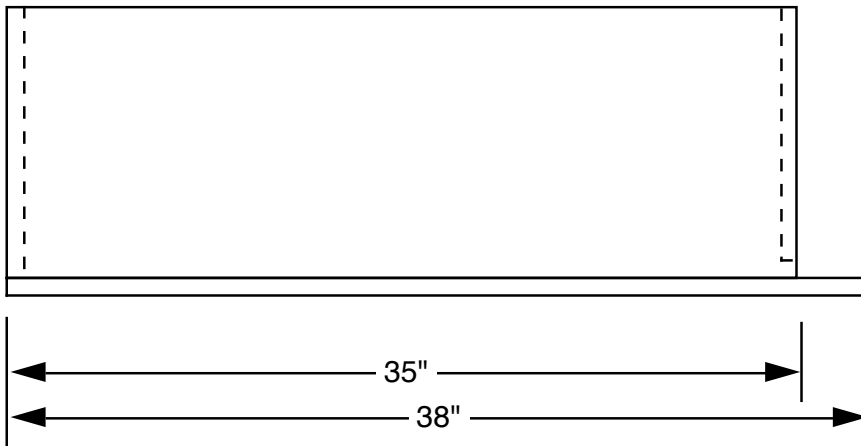
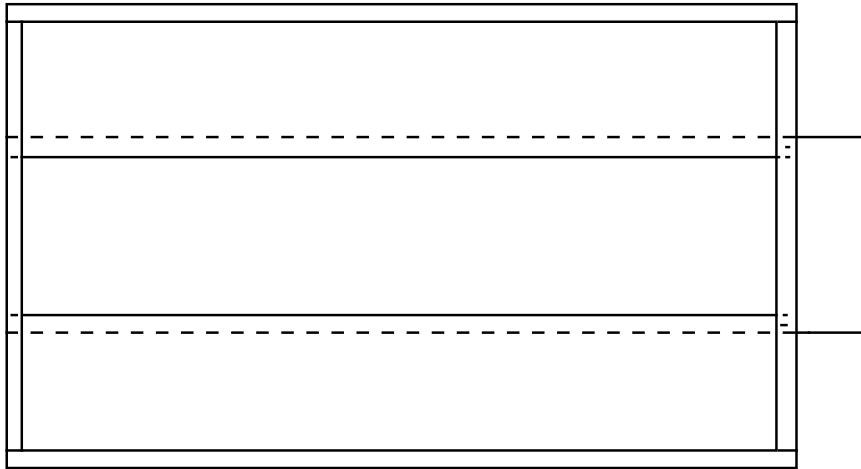
Bottom 3/4 x 8-5/8 x 38"

Kenya Top Bar Hive 1 of 2

(Dimensions from peace corps)

Material List

- 3 - 3/4 x 12 x 19" pine - ends & divider
- 1 - 3/4 x 8-5/8 x 38" pine - bottom
- 2 - 3/4 x 13-3/4 x 35" pine - sides
- 30 - 3/4 x 1-1/4 x 19" pine - bars
- 2 - 3/4 x 1-1/2 x 23" pine - top sides
- 2 - 3/4 x 1-1/2 x 36" pine - top sides
- 1 - 3/8 x 23 x 37-1/2" plywood - top
- 1 - 24 x 38-3/4" Flashing



Bars (make 30) Scale 1" = 4"

